



F8 line interrupt switch

Technical specifications

Electrical

Ambient temperature -25° to +85°C

Flammability rating UL 94 V-0

Materials

Housing Thermoplastic Polyester,

Actuator Thermoplastic Polyester,

Terminals* Brass

Moving Blade Brass

Spring Stainless steel

Contacts F81, F82 Silver Alloy

F83 Gold Crosspoint

F84 Silver Alloy/Gold Crosspoint

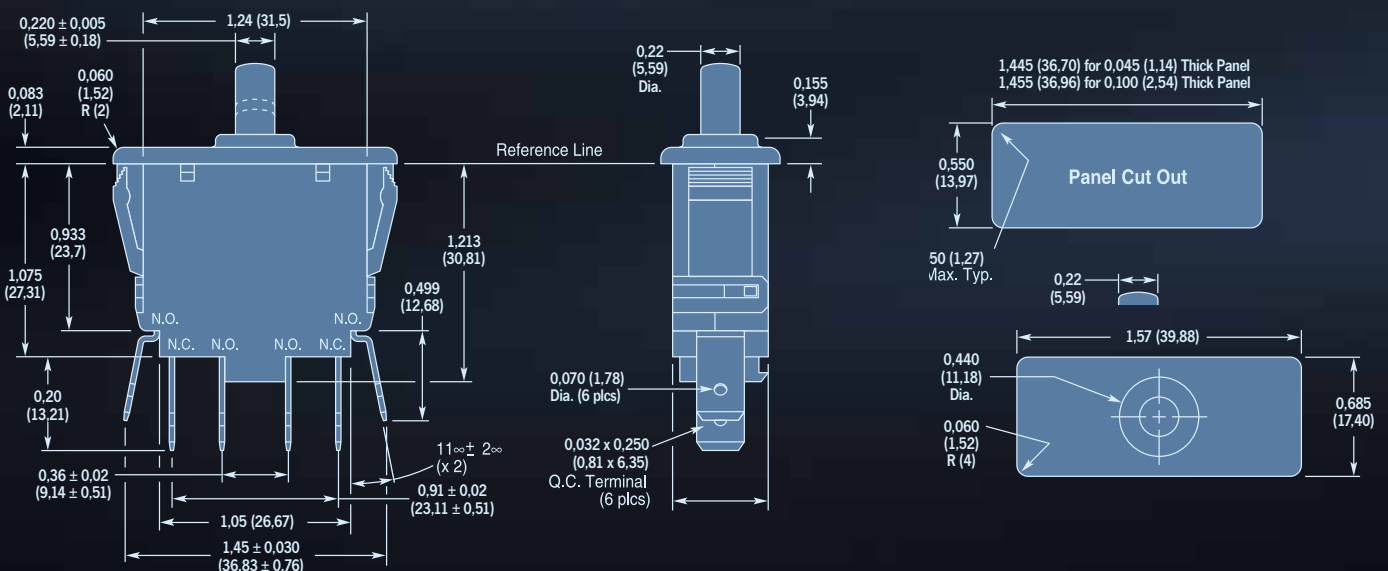
* COM-terminals are plated, the other terminals are not

Features

- Snap-in panel mounting
- High overtravel
- Choice of button barrier or standard housing
- 3 terminal types
- Double make/double break shorting bars
- Agency approved extended-life versions available
- International approval available
- 3 mm (0,12") minimum contact gaps
- Over 200 versions available

Dimensions in inch (mm)

Basic case housing



Electrical rating and operating life

Switch series	Electrical rating according to EN 61058-1	Electrical rating according to UL 1054	Operating life at 40T85 (operations)	
			acc. to EN	acc. to UL
F81	10A, 125/250VAC; 3/4 HP, 125VAC 1-1/2 HP, 250VAC; 6A, 30VDC	10A, 125/250VAC, 3/4	50.000	6.000
F82	16(6)A, 250VAC	16A, 125/250VAC; 3/4 HP, 125VAC 1-1/2 HP, 250VAC; 6A, 30VDC	50.000	6.000*
F83	0,1(0,5)A, 250VAC	0,1 A, 125/250VAC	50.000	6.000*
F84	on request	Combines two different ratings in a single switch. Available upon request	50.000	6.000*

* Indicates 100K life available.

Preferred parts

Order code	Switch type	Electrical rating		Terminals	Operating force (cN)	Operating point (mm)	Max. pretravel (mm)	Min. overtravel (mm)
		EN	UL					
F81A-B140	Button barrier housing	10(3)A, 400VAC	10A, 125/250VAC; 3/4 HP, 125VAC 1-1/2 HP, 250VAC; 6A, 30VDC	Q.C. terminal 4,8x0,8mm	850	8,99 ± 0,76	5,99	2,01
F81J-B120	Button barrier housing	10(3)A, 400VAC	10A, 125/250VAC; 3/4 HP, 125VAC 1-1/2 HP, 250VAC; 6A, 30VDC	Q.C. terminal 4,8x0,8mm	850	8,99 ± 0,76	5,99	2,01
F82A-A120	Basic case housing	16(6)A, 250VAC	16A, 125/250VAC; 3/4 HP, 125VAC 1-1/2 HP, 250VAC; 6A, 30VDC	Q.C. terminal 6,3x0,8mm	850	8,99 ± 0,76	5,99	2,01
F82A-B120	Basic case housing	16(6)A, 250VAC	16A, 125/250VAC; 3/4 HP, 125VAC 1-1/2 HP, 250VAC; 6A, 30VDC	Q.C. terminal 4,8x0,8mm	850	8,99 ± 0,76	5,99	2,01
F82J-A120	Basic case housing	16(6)A, 250VAC	16A, 125/250VAC; 3/4 HP, 125VAC 1-1/2 HP, 250VAC; 6A, 30VDC	Q.C. terminal 6,3x0,8mm	850	8,99 ± 0,76	5,99	2,01
F82X-A120	Basic case housing	16(6)A, 250VAC	16A, 125/250VAC; 3/4 HP, 125VAC 1-1/2 HP, 250VAC; 6A, 30VDC	Q.C. terminal 6,3x0,8mm	850	8,99 ± 0,76	5,99	2,01
F83Y-A120	Basic case housing	0,1(0,5)A, 250VAC	0,1A, 250VAC	Q.C. terminal 6,3x0,8mm	850	8,99 ± 0,76	5,99	2,01
F83Z-A120	Basic case housing	0,1(0,5)A, 250VAC	0,1A, 250VAC	Q.C. terminal 6,3x0,8mm	850	8,99 ± 0,76	5,99	2,01

Button barrier housing

