

Item description/product images

**Description****Material:**

Wheel body housing: steel plate.

Levelling foot housing: die-cast aluminium

Mounting bracket: steel

Operating lever: steel, protective coating PUR plastic.

Leveling foot: glass-bead reinforced PA plastic. Spindle steel.

Wheel rim: see table.

Tread: see table.

Version:

Wheel body housing: electro zinc-plated and blue passivated.

Levelling foot housing: powder coated aluminium tone.

Mounting bracket: electro zinc-plated

Operating lever: electro zinc-plated, protective coating black.

Leveling foot: black Spindle electro zinc-plated.

Wheel rim: see table.

Tread: see table.

Note:

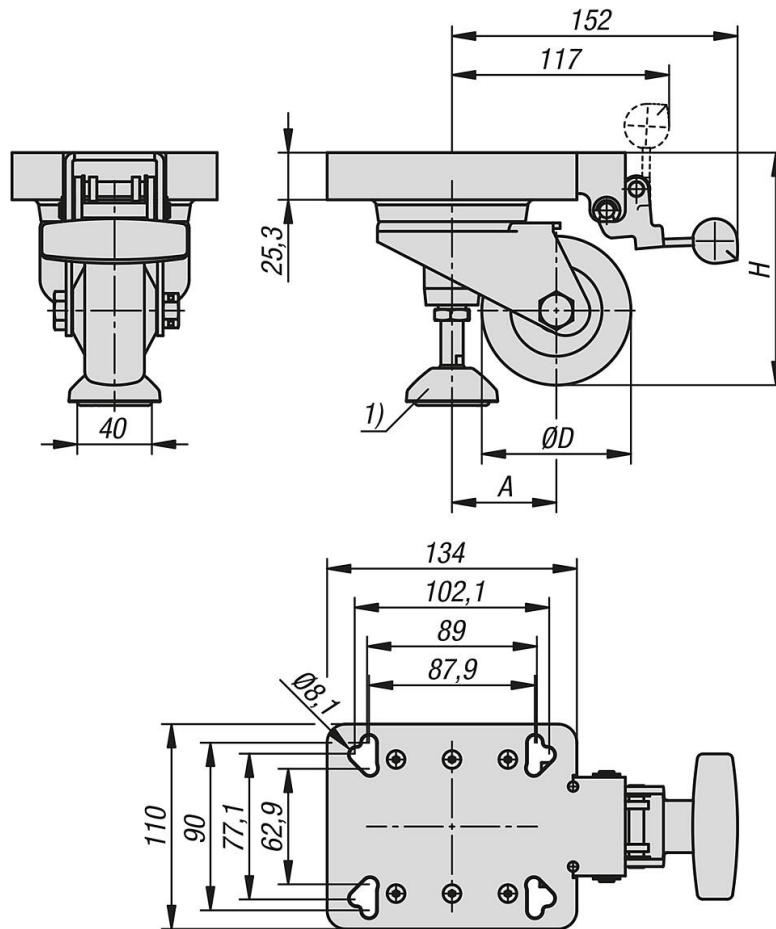
Elevating castor, swivel castor type with integrated height-adjustable machine foot. With sealed ball bearing in the swivel head. Wheel axle threaded. The ergonomically formed operating lever, which does not swivel with the roller, ensures easy operation. Heavy appliances can be easily lifted and secured thanks to the short actuation travel combined with a long plunger stroke and very high lifting force. The high lever ratio of up to 1:20 means you only need to apply 10 kg force to lift 200 kg. The anti-slip pad attached to the levelling foot plate prevents the foot from slipping and simultaneously protects the floor.

With thread guard and integrated mounting plate for attachment to aluminium profiles with 40 and 45 mm pitch without overhang.

Drawing reference:

1) swivelling

Drawings



Overview of items

Order No.	A	D	H	Wheel bearing	Permissible load kg		ESD electrostatic discharging	
95092-01-08040110	56	80	125	plain bearing	150	Polyamide, grey	no	Polyamide, black
95092-01-10040110	65	100	145	plain bearing	200	Polyamide, grey	no	Polyamide, black